

**EA**

**EMBOCADURA ASPIRACIÓN / INLET FLANGE /  
 BRIDE ASPIRATION / ANSATZ ANSAUGUNG**



**ES**

**CARACTERÍSTICAS GENERALES:**  
 Para instalarlo en la boca de aspiración y facilitar el conexionado del conducto.

**EN**

**GENERAL FEATURES:**  
 Connection flange to be fitted in the centrifugal fans inlet.

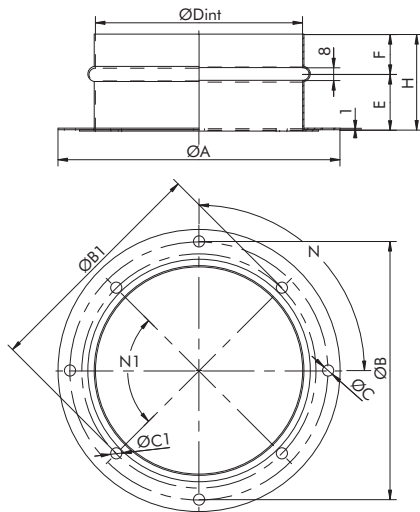
**FR**

**CARACTERISTIQUES GÉNÉRALES:**  
 Installation à l'aspiration, facilite le raccordement à gaine.

**DE**

**ALLGEMEINE MERKMALE:**  
 Für saugseitige Anbringung zur Verbindung mit dem Luftschacht.

**DIMENSIONES /  
 DIMENSIONS /  
 ENCOMBREMENT /  
 ABMESSUNGEN (mm)**



Model	Dint	ØA	ØB	ØC	N	ØB1	ØC1	NI	E	F	H
EA 80	80	127	106,5	13	4 x 90	-	-	-	35	25	60
EA 100	100	153	128	13	4 x 90	-	-	-	35	25	60
EA 130	130	177	162	7	4 x 90	147	7	4 x 90	35	25	60
EA 150	150	220	182,5	15	4 x 90	-	-	-	35	25	60
EA 175	175	235	209,5	12	4 x 90	-	-	-	35	25	60
EA 200	200	250	230	7	8 x 45	-	-	-	35	25	60
EA 225	225	280	257	8	8 x 45	263	7	3 x 120	40	30	70
EA 250	250	308	281	8	8 x 45	293	7	3 x 120	40	30	70
EA 300	300	382	360	13	8 x 45	320	7	8 x 45	40	30	70
EA 350	350	422	394	7	8 x 45	-	-	-	40	30	70
EA 400	400	464	438	9	8 x 45	-	-	-	40	30	70
EA 450	450	554	487	11	8 x 45	535	9	8 x 45	40	30	70
EA 500	500	640	608	9	8 x 45	-	-	-	40	30	70
EA 650	650	710	676,5	11	8 x 45	-	-	-	40	30	70
EA 600	600	785	755	9	8 x 45	-	-	-	40	30	70



**DESCRIPCIÓN / DESCRIPTION / DESCRIPTION / BESCHREIBUNG**

Model	Aplicable	Model	Aplicable
EA 80	MB 10/4, MA 18-24	EA-MBE 502/504	MBE 502/504
EA 100	MB 12/5, MA 25-26	EA-MBE 552/554	MBE 552/554
EA 130	MB 14/5, MA 27-28	EA-MBE 602/604	MBE 602/604
EA 150	MB 16/6, MA 31, AA 47-53	EA-MBCA 180	MBCA 180
EA 175	MB 18/7, AA 45/5-59-66-70	EA-MBCA 200	MBCA 200
EA 200	MB 20/6-20/8	EA-MBCA 220	MBCA 220
EA 225	MB-MZ 22/9, AA 50/5, BC 25/10	EA-MBCA 250	MBCA 250
EA 250	MB-MZ-MBC-MBC/FA 25/10, AA 60/7, BC 28/11	EA-MBCA 280	MBCA 280
EA 300	MB-MZ-MBC-MBC/FA 28/11-31/12	EA-MBCA 310	MBCA 310
	MBR 31/10, BC 35/18	EA-MBCA 350	MBCA 350
EA 350	MB-MZ-MBC-MBC/FA 35/14, MBR 35/11	EA-MBCA 400	MBCA 400
EA 400	MB-MZ-MBC-MBC/FA 40/16	EA-MBCA 450	MBCA 450
	MBR-MBRF-MBRC-MBRC/FA 40/12	EA-MBCA 500	MBCA 500
EA 450	MB-MZ-MBC-MBC/FA-MBR-MBRF 45/18	EA-MBCA 560	MBCA 560
	MBR-MBRF-MBRC-MBRC/FA 45/14-50/16	EA-MBMAP 160	MBMAP 160
EA 500	MBR-MBRF-MBRC-MBRC/FA 56/18	EA-MBMAP 200	MBMAP 200
EA 600	MBR-MBRF-MBRC-MBRC/FA 71/22	EA-MBMAP 250	MBMAP 250
EA 650	MZ 63/25, MBR-MBRF-MBRC-MBRC/FA 63/20	EA-MBMAP 280	MBMAP 280
EA 40/12-Q	MBRC 40/12 T2 5,5	EA-MBMAP 300	MBMAP 300
EA 45/14-Q	MBRC 45/14 T2 10	EA-MBMAP 350	MBMAP 350
EA 45/18-MB	MB-MBQ 45/18 T4 15	EA-MBMAP 400	MBMAP 400
EA 50/16-Q	MBRC 50/16 T2 20	EA-AAMAR-/S 310	AAMAR-AAMAR/S 310
EA 50/20-MB	MB-MBQ 50/20	EA-AAMAR-/S 350	AAMAR-AAMAR/S 350
EA 55/22-MB	MB 55/22	EA-AAMAR-/S 400	AAMAR-AAMAR/S 400
EA 63/20-Q	MBRC 63/20 T4 10-T6 3	EA-AAMAR-/S 450	AAMAR-AAMAR/S 450
EA 63/25-MB	MB 63/25	EA-AAMAR-/S 501/502	AAMAR-AAMAR/S 501/502
EA 71/22-Q	MBRC 71/22 T4 15-T4 20-T6 5,5	EA-AAMAR-/S 571/572	AAMAR-AAMAR/S 571/572
EA-MA 250	MA 250	EA-AAMAR-/S 631/632	AAMAR-AAMAR/S 631/632
EA-MA 300	MA 300	EA-AAMAR-/S 711/712/713	AAMAR-AAMAR/S 711/712/713
EA-MA 351/352	MA 351/352	EA-MHR 350	MHR 350
EA-MA 401/402	MA 401/402	EA-MHR 400	MHR 400
EA-MA 451/452	MA 451/452	EA-MHR 451/452	MHR 451/452
EA-MA 501/502	MA 501/502	EA-MHR 501/502	MHR 501/502
EA-MA 551/552	MA 551/552	EA-MHR 561/562	MHR 561/562
EA-MA 601/602/603	MA 601/602/603	EA-MHR 631/632	MHR 631/632
EA-MBE 202	MBE 202	EA-MHR 671/672	MHR 671/672
EA-MBE 252	MBE 252	EA-MHR 711/712	MHR 711/712
EA-MBE 302	MBE 302	EA-MHR 761/762	MHR 761/762
EA-MBE 402	MBE 402	EA-MHR 811/812	MHR 811/812

Model	Aplicable										
	MBRM	MBRL	MBRU	MBCA	MBZM	AAVA	AAVC	AAVP	AAVG	AAVM	AAZA
EA-180	-	-	-	X	-	-	-	-	-	-	-
EA-200	-	-	-	X	-	-	-	-	-	-	-
EA-220	X	-	-	X	X	-	-	-	-	-	-
EA-250	X	X	X	X	X	-	-	-	-	-	-
EA-280	X	X	X	X	X	-	-	-	-	-	-
EA-310	X	X	X	X	X	X	-	-	-	-	-
EA-350	X	X	X	X	X	X	-	-	X	X	-
EA-400	X	X	X	X	X	X	-	X	X	X	X
EA-450	X	X	X	X	X	X	-	X	X	X	X
EA-500	X	X	X	X	X	X	X	X	X	X	X
EA-560	X	X	X	X	X	X	X	X	X	X	X
EA-630	X	X	X	-	X	X	X	X	X	X	X
EA-710	X	X	X	-	X	X	X	X	X	X	X
EA-800	X	X	X	-	X	X	X	X	X	X	X
EA-900	X	X	X	-	X	X	X	X	X	X	X
EA-1000	X	X	X	-	X	-	X	-	X	X	X
EA-1120	X	X	X	-	-	-	-	-	-	-	-
EA-1250	X	X	X	-	-	-	-	-	-	-	-
EA-1400	X	X	X	-	-	-	-	-	-	-	-
EA-1600	X	X	X	-	-	-	-	-	-	-	-
EA-1800	X	X	X	-	-	-	-	-	-	-	-